

# jett.wave

## RF DATA TRANSFER SYSTEM

Available for all PACK Ready JETT•XL® and JETT•eye™ units.

The JETT•WAVE RF Data Transfer System is an excellent solution for medium range wireless coverage. The radios offer "rock solid" performance at distances that can extend to multiple miles. The JETT•WAVE system employs spread spectrum frequency hopping radios that operate at 900 MHz. The system employs a unique data checking algorithm to ensure the integrity of data across the RF link. The JETT•WAVE Base radio interfaces to existing equipment via a standard RS232 connection, allowing any piece of equipment to become "wireless."

The unit can be configured to operate in different "groups" allowing multiple devices to be operating independently in close proximity to one another. Serial interface to other equipment is configurable to a variety of standard baud rates.

The JETT•WAVE radio system, just one more way that Two Technologies answers the call for versatility and flexibility in hand held computer products.



### PACK and BASE RADIO

#### RADIO

- Operates in a frequency range of 902-928 MHz
- FHSS (Frequency Hopping Spread Spectrum)
  - 10 hop sequences share 50 frequencies
- FSK (Frequency Shift Key) Modulation
- Supported Network Topologies
  - Peer-To-Peer, Point-to-Point, Point-to-Multipoint & Multidrop
- 256-bit AES Encryption (AES algorithm is FIPS -197 certified)
- Transmit Power Output (software selectable)
  - 10mW, 100mW, 250mW, 500mW, 1W
- Indoor/Urban Range<sup>1</sup> (w/ 2.1 dB dipole antenna)
  - Up to 3000' (900 m)
- Outdoor<sup>2</sup> (w/ 2.1 dB dipole antenna)
  - Up to 14 miles (22 km)
- Interface Data Rate (software selectable)
  - 1200 – 115,200 bps
- Extensive Command language allows complete programmatic control of all radio functions.

Throughput Data Rate (software selectable)	9,600 bps	115,200 bps
RF Data Rate	10,000 bps	125,000 bps
Receiver Sensitivity	-110 dBm	-100 dBm

1. Actual range is dependent on many factors, including environment, terrain, building density, etc. 2. This is line-of-sight range and can vary based on a number of environmental factors.

#### ANTENNA

- 2.1db Dipole antenna with SMA type connector (50 ohms unbalanced)

### BASE RADIO

#### POWER

- Power for the JETT•WAVE Base Radio is provided by two (2) 1650 mAh nickel metal hydride batteries. • Batteries will provide 12 hours of operating time (transmit power used will affect operating time)

#### CONTROLS AND INDICATORS

- LED indicators - Power, Charge, Battery, Temperature, TX, RX, Signal Strength • ON – OFF Switch • RS232 Interface with DE9 connector
- Charging connector

#### ENVIRONMENTAL

- The JETT•WAVE Base Radio is fully sealed to meet IP65 specs
- Powder coated aluminum extrusion housing designed to withstand severe conditions • Removable antenna

### PACK RADIO

#### POWER

- Power for the JETT•WAVE PACK Radio is Provided through the JETT•XL® or JETT•eye™.

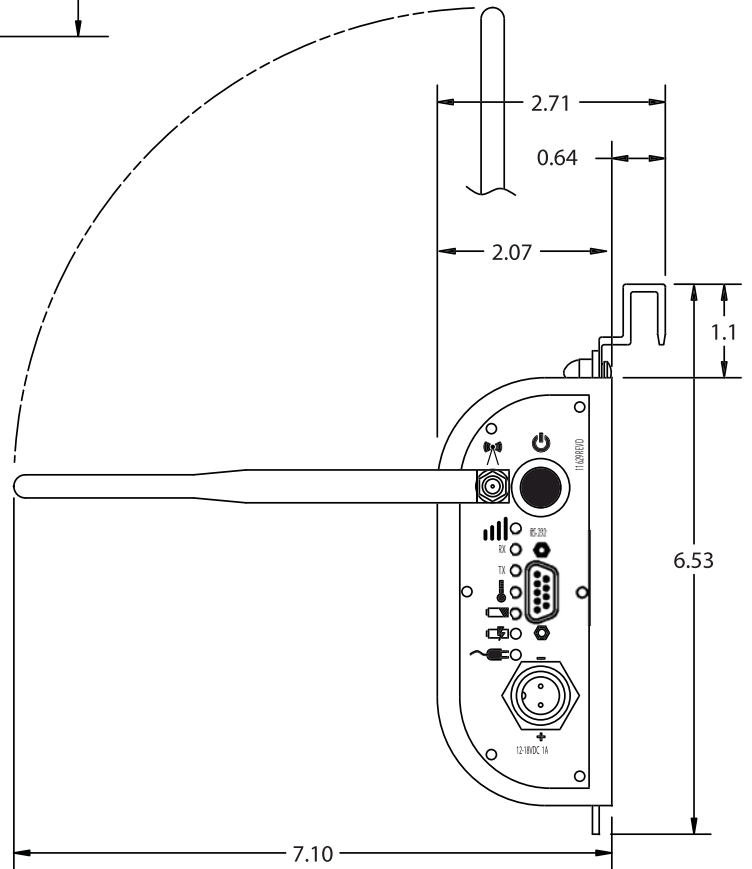
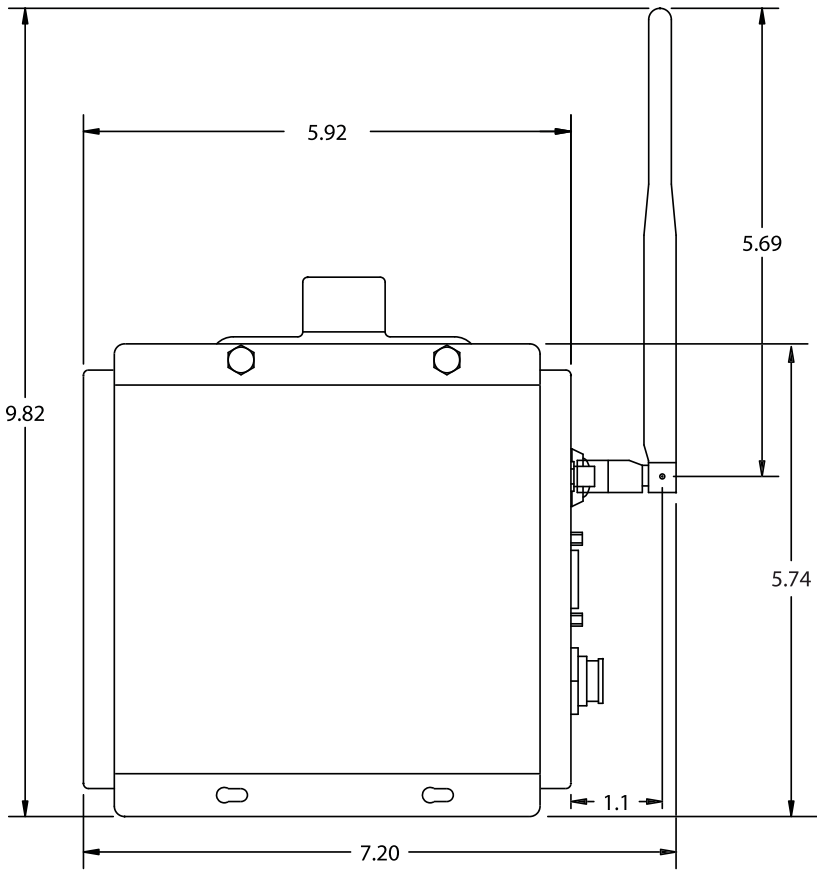
#### ENVIRONMENTAL

- The JETT•WAVE PACK radio is fully sealed to meet IP65 specs
- Removable antenna

## DIMENSIONS

### BASE RADIO

- **Height:** 2.07 in. (52.58 mm)
- **Height w/antenna:** 7.10 in. (180.34 mm)
- **Width:** 5.92 in. (150.37 mm)
- **Length:** 5.74 in. (145.80 mm)
- **Weight:** 2.18 lbs (988.83 grams)



**Two Technologies, Inc.** • 419 Sargon Way • Horsham, PA 19044  
 Tel 215.441.5305 • Fax 215.441.0423 • real.rugged@2T.com [www.2T.com](http://www.2T.com)

